

DC MOTOR WALL CONTROL MODEL: 370036 and 370100 INSTALLATION INSTRUCTIONS

WARNING

To avoid fire, shock and serious personal injury, follow these instructions:

1. Carefully read and retain this Instruction Manual for future reference.
2. To avoid possible electrical shock, be sure the electricity is turned off at the main panel by removing the fuse or opening the circuit breaker.
3. This control switch is designed for use with "DC Motor Ceiling Fans" ONLY. DO NOT use with any other type of electrical appliance.
4. All wiring must conform to national and local electrical codes. If you feel you do not have enough electrical knowledge, have a licensed electrician install the control.
5. The amperage for your fan should not exceed 1A. The total wattage for the lights 300W.

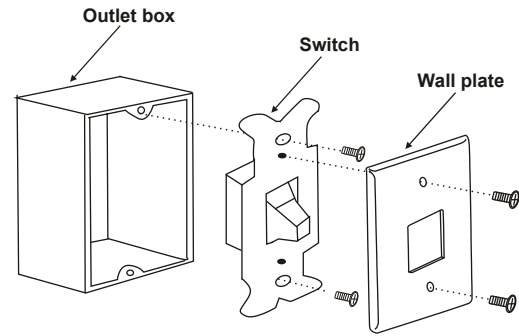


Fig. 1

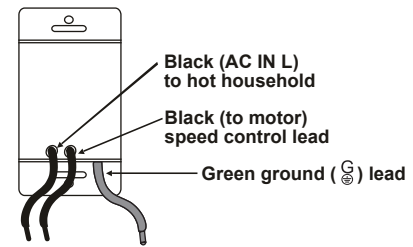


Fig. 2

INSTALLATION AND OPERATING INSTRUCTIONS

1. Disconnect the power and remove the existing wall plate and switch. (Fig. 1)
2. Make each of the wire connections illustrated in Figure 3. Secure each with the wire nuts provided.
 - Black wire going to the fan (motor) to the Black wire from the Switch.
 - In the Ceiling Outlet Box, connect the White (neutral) wire coming from the Fan to the White (neutral) wire from the Household Supply.
 - Connect the Black (AC IN L) from the switch to the Black wire going to the Household Supply.
3. If your ceiling outlet box has a ground wire (green or bare copper) connect it to the ground wire from the ceiling fan and/or the ceiling mounting bracket.

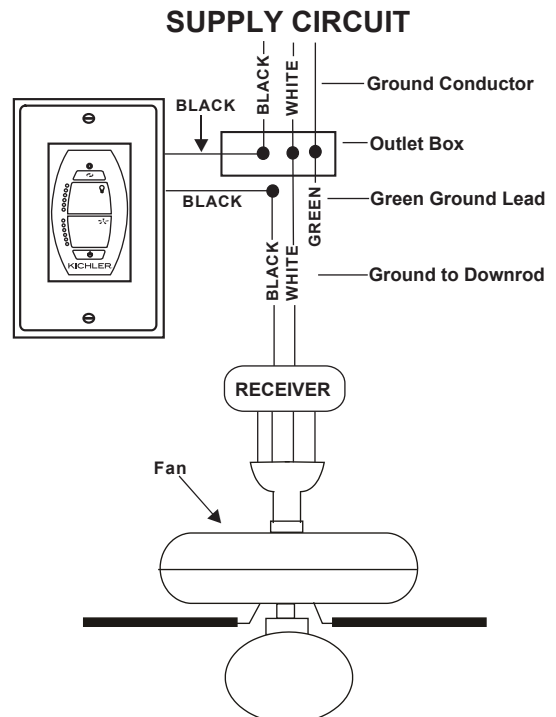


Fig. 3

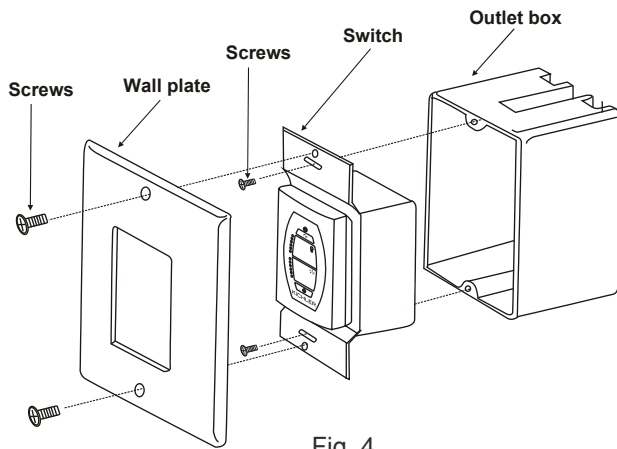


Fig. 4

4. Attach the Speed/Light Switch to the wall outlet box and secure with the two screws provided. (Fig 4)
5. Attach the wall plate to the switch with the two screws provided. (Fig. 4)

CONTROL SYSTEM SET-UP

- 1) Press the power button on wall control to TURN THE POWER ON.
 - a. The LED lights on the wall control will blink thru the power up process, approximately 3 seconds.
- 2) Within 60 seconds of powering the unit on, Press and hold the REV/FOR button on the wall control until the light kit blinks twice (or for 5 seconds if no light kit). Fan will begin operating on high speed.
- 3) DO NOT TOUCH ANY ADDITIONAL BUTTONS FOR 5 MINUTES. The fan control is performing the setup process necessary for the wall control to communicate with the fan.
- 4) In approximately 5 minutes the ceiling fan will shut off. This is your indication that the programming process is complete and your ceiling fan is ready for normal use.

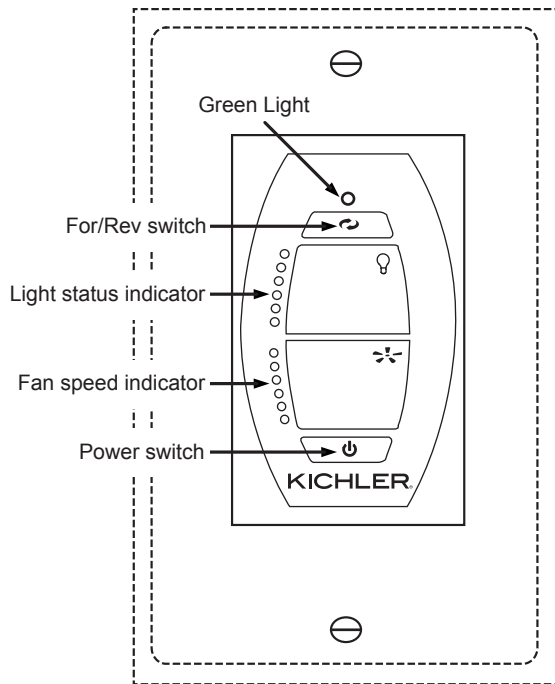


Fig. 5

NOTE: To purge unwanted frequency codes in a fan receiver:

- 1) From the desired control, turn the power on to the fan.
- 2) Within 60 seconds of powering the unit on, press the REV/FOR button for 10 seconds. This purges all codes in the fan receiver leaving only one code from the control used for this step.
- 3) DO NOT TOUCH ANY ADDITIONAL BUTTONS FOR 5 MINUTES. The fan control is performing the setup process necessary for the wall control to communicate with the fan.
- 4) In approximately 5 minutes the ceiling fan will shut off. This is your indication that the programming process is complete and your ceiling fan is ready for normal use.

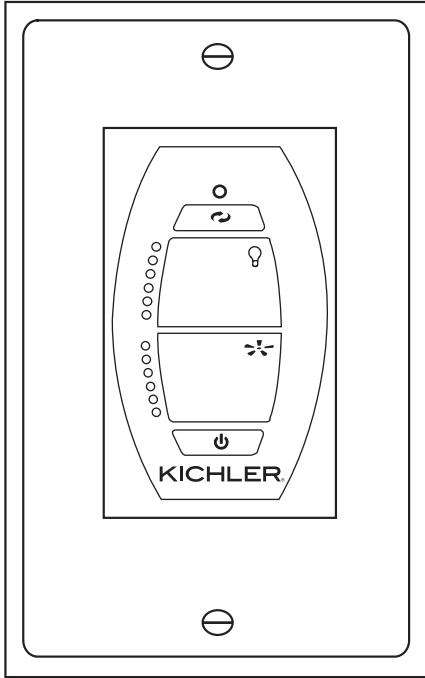


Fig. 6

BUTTON INSTRUCTION

1. LED Indicator

Red LED: Transmitter signal indicator. When RF signal is sending, the red light will illuminate.

Green LED: To show the Forward and Reverse indicator.

2. ON/OFF button "⏻"

ON: Turn on the power.

OFF: Turn off the power.

3. Reverse button "↻"

When the fan is running, press and release the Reverse button one time, the fan will change operating direction.

Downflow: Green indicator LED will be off.

Reverse: Green indicator LED will be on.

4. Light button "💡"

Press and release the Light button for light ON/OFF control.

Light indicator LEDs will show current light status. If the light kit is

OFF, the Light indicator LEDs are also all off. Press AND HOLD

the light button for more than 1 second and the light kit will begin

dimming. Light indicator LED will show the change in light level

status. The light level cycles from bright to dim and back to bright

when the light button is held.

5. Fan control "🌀"

Press and release the Fan speed button for Fan ON/OFF control.

Fan indicator LED will illustrate the current fan speed. If the fan is

OFF, the fan speed indicator LEDs will also be OFF. Press and hold

Fans speed button for more than 1 second to begin adjusting the fan

speeds. The indicator LEDs will shows the current speed level. The

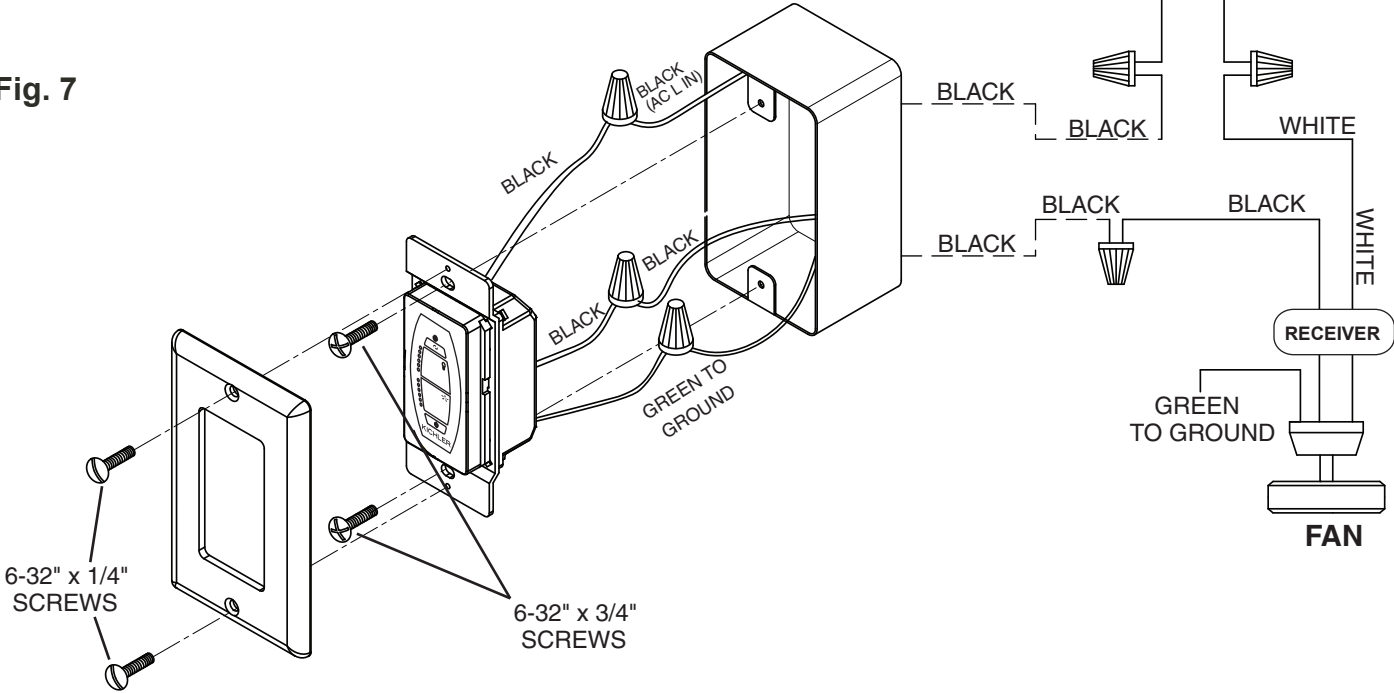
fan speed adjustments adjust in a repeat cycle when the speed button

is held down. The speeds adjust from High to Low, then back up to

High.

Warning!
Hook up “in series” only
Do not connect to hot and common wire of electric circuit or switch will be damaged. Refer to Fig. 6.

Fig. 7



Date Issued: 8/8/08